

LOGICONVERTER™

UTILITY CONTROL LOGIC INTERFACE

Product Description

LogiConverter is a general purpose control interface that eliminates the incompatibility between various audio and video equipment remote control circuits.

LogiConverter has 4 opto-isolated inputs that control 4 isolated relay outputs. The unit can be programmed to provide either latched or momentary outputs from either continuous or momentary inputs with up to 24 combinations possible. A single input can provide single or dual "flip-flop" outputs; two inputs can latch and reset an output.

Logic modes are selected by front-panel switches; LEDs indicate the output status of the four logic channels. Inputs can be any DC voltage from 5-24 vdc, TTL or CMOS logic outputs, open collectors, or contact closures. Inputs are via a 15-pin D connector; relay outputs are via plug-in euroblock connectors.

LogiConverter is 1/3 rack width and can be mounted in an optional rack shelf, or wall mounted with optional wall/cabinet mounting brackets. LogiConverter is powered by an internal AC power supply.



Front

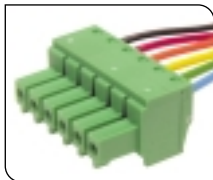
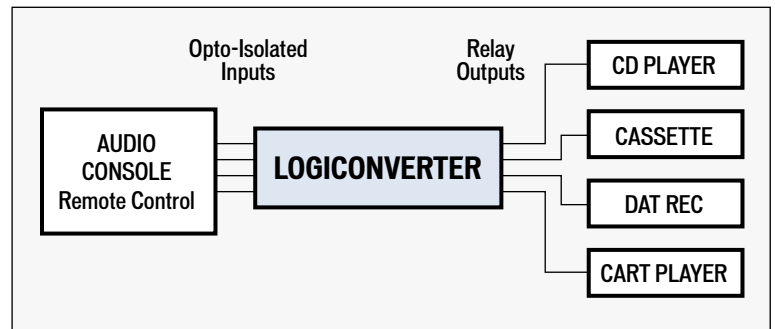


Back

Technical Specifications

Control Inputs	Opto-isolated 5-24VDC or ground closure
Input Resistance	1.5K ohms per input
Input Pulse Duration	>50ms for latched outputs >250ms for momentary outputs
Input Connector	15-pin D-sub
Outputs	4 Form-C (SPDT) relays
Load Capacity	1A/28VDC, .5A/120VDC res max
Output Connections	Plug-in euroblocks
Power Requirements	115/230VAC, 50/60Hz, 3 W
Construction	Steel enclosure
Physical	5.7" w X 1.7" h X 6.0" d, 3lbs

Typical Application



Plug-in Installation



No Wall-Warts!



Rack Mountable

Technical specifications subject to change without notice.